

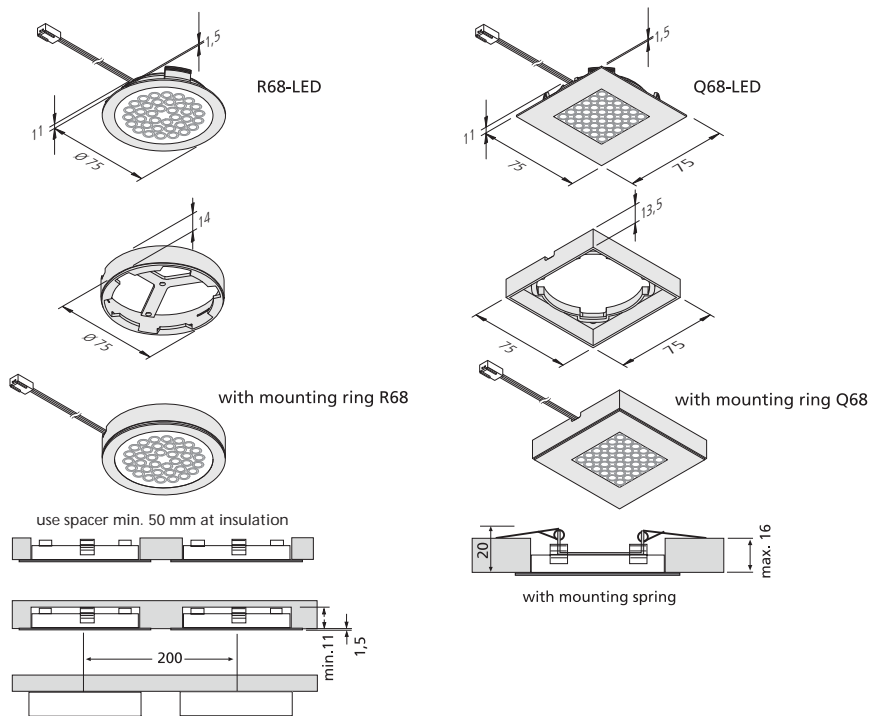
R 68- / Q 68-LED

Flat Recessed LED Luminaire for the 68 Cut-out



- Connection:** LED-transformer DC 24 V
- Lamp:** extremely long-life 36 x 70 mW LED, \varnothing life 30,000 hours
- Energy efficiency:** LED: 63 lm/W Luminaire: 148 lm (59 lm/W); this luminaire contains built-in, not changeable LED lamps of the energy efficiency class A to A++
- Colour rendering:** Ra/CRI > 90
- Special features:** low power consumption; no UV rays; flush mounting in 16mm panels.

R 68-/Q 68-LED			
	53°	ww	nw
0,5m	\varnothing 420	564 lx	520 lx
1,0m	\varnothing 840	141 lx	130 lx
1,5m	\varnothing 1260	63 lx	58 lx
2,0m	\varnothing 1680	35 lx	33 lx
2,5m	\varnothing 2100	23 lx	21 lx



R 68- / Q 68-LED

Flat Recessed LED Luminaire for the 68 Cut-out



Article No.	Description	Illustration	Features	Weight
610 012 602 06	R 68-LED 2,5W ww matt chrome		<ul style="list-style-type: none"> Colour appearance ww (warm white) appr. 3000 K Supply cable 2,5 m with LED 24 plug 	80 g
610 012 602 08	R 68-LED 2,5W ww stainless steel		<ul style="list-style-type: none"> Colour appearance nw (neutral white) appr. 4000 K Supply cable 2,5 m with LED 24 plug 	80 g
610 012 603 06	R 68-LED 2,5W nw matt chrome			<ul style="list-style-type: none"> Colour appearance ww (warm white) appr. 3000 K incl. Transformer 15W (6 lamps can be added) Supply cable 2,5 m with LED 24 plug
610 012 603 08	R 68-LED 2,5W nw stainless steel		<ul style="list-style-type: none"> Colour appearance ww (warm white) appr. 3000 K incl. Transformer 15W (6 lamps can be added) Supply cable 2,5 m with LED 24 plug 	
610 549 038 02	set of 3 R 68-LED 2,5W ww stainless steel		<ul style="list-style-type: none"> Colour appearance ww (warm white) appr. 3000 K incl. Transformer 15W (6 lamps can be added) Supply cable 2,5 m with LED 24 plug 	410 g
610 549 058 02	set of 5 R 68-LED 2,5W ww stainless steel			570 g
205 010 211 06	Mounting ring R 68 matt chrome		<ul style="list-style-type: none"> incl. screw 	12 g
205 010 211 08	Mounting ring R 68 stainless steel			12 g
610 012 622 06	Q 68-LED 2,5W ww matt chrome		<ul style="list-style-type: none"> Colour appearance ww (warm white) appr. 3000 K Supply cable 2,5 m with LED 24 plug 	85 g
610 012 622 08	Q 68-LED 2,5W ww stainless steel		<ul style="list-style-type: none"> Colour appearance nw (neutral white) appr. 4000 K Supply cable 2,5 m with LED 24 plug 	85 g
610 012 623 06	Q 68-LED 2,5W nw matt chrome			<ul style="list-style-type: none"> Colour appearance ww (warm white) appr. 3000 K incl. Transformer 15W (6 lamps can be added) Supply cable 2,5 m with LED 24 plug
610 012 623 08	Q 68-LED 2,5W nw stainless steel		85 g	
610 549 238 02	set of 3 Q 68-LED 2,5W ww stainless steel		<ul style="list-style-type: none"> Colour appearance ww (warm white) appr. 3000 K incl. Transformer 15W (6 lamps can be added) Supply cable 2,5 m with LED 24 plug 	425 g
610 549 258 02	set of 5 Q 68-LED 2,5W ww stainless steel			595 g
205 010 212 06	Mounting ring Q 68 matt chrome		<ul style="list-style-type: none"> incl. screws 	15 g
205 010 212 08	Mounting ring Q 68 stainless steel			15 g
615 000 301 01	Mounting spring ARF 68/78/Q		<ul style="list-style-type: none"> for mounting in lightweight design ceilings 	24 g
215 300 610 01	LED 24 connecting cable 1m		<ul style="list-style-type: none"> further information on page 140 	9 g
215 300 625 01	LED 24 connecting cable 2,5m			22 g
206 040 023 01	Transformer LED 24/ 5W DC 24V 6-way distributor		<ul style="list-style-type: none"> mains cable 2 m with Euro plug further information from page 132 	160 g
206 040 011 01	Transformer LED 24/15W DC 24V 12-way distributor			167 g
615 000 505 23	24V Dim Controller radio controller incl. mounting radio telecontrol		<ul style="list-style-type: none"> as optional accessory further dim controller page 138 	105 g
615 000 505 24	24V Dim Controller radio controller incl. recessed radio telecontrol			80 g