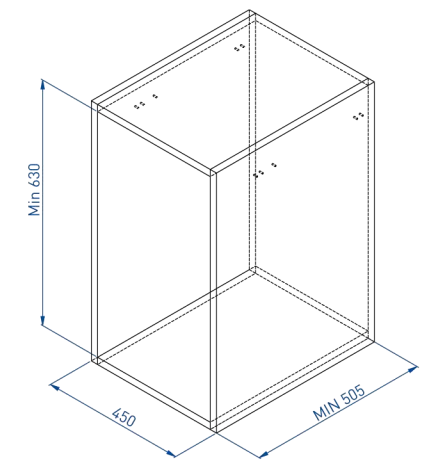
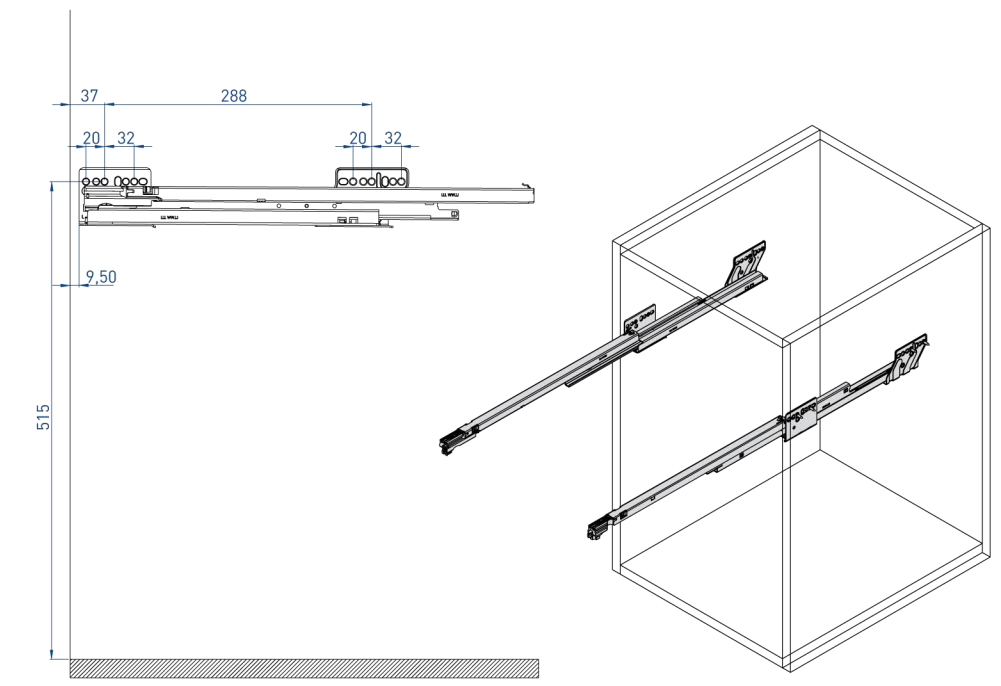


Place slides F respecting showed data and screw them on the cabinet's sides, using 4x16 screws.



Sige Spa has the right to make changes on it without notice

- Fittings**
- N°8 Self-tapping screws 4x16 mm
  - N°12 Cap Screws 4x13mm
  - N°2 M5x8 mm
  - N°4 M4x5 mm
  - N°2 M6x10 mm

- Tools**
- 
  - 
  - 

- Parts**
- A. Frame
  - B. Bin 53 Lt
  - C. Door bracket
  - D. Metal Bracket
  - E. Cap
  - F. Slides
  - G. Cover

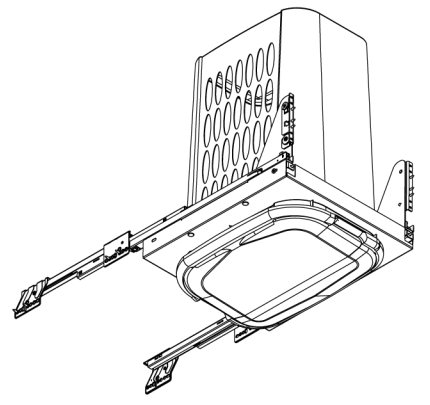
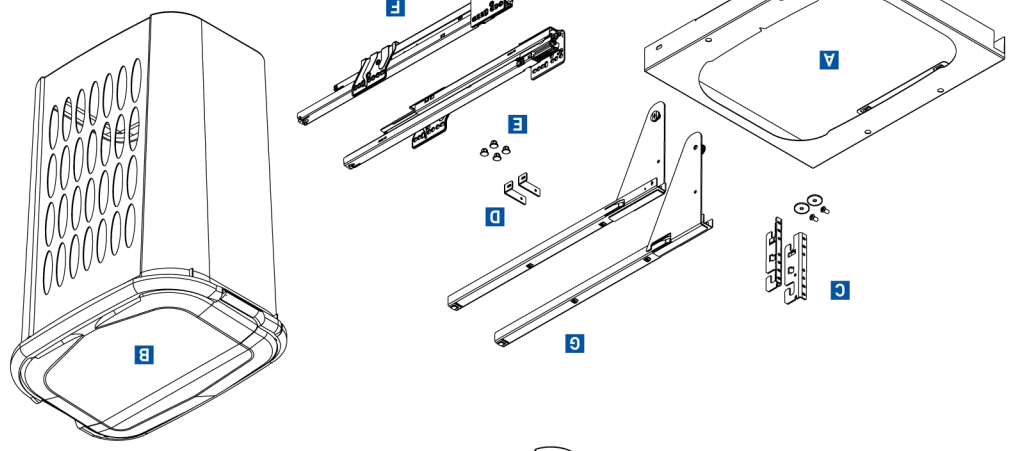
- Product**
- Laundry Bin 53 L
  - Solid base pull-out basket with full extension slides and soft closing.

**Art 590**  
Grass slides

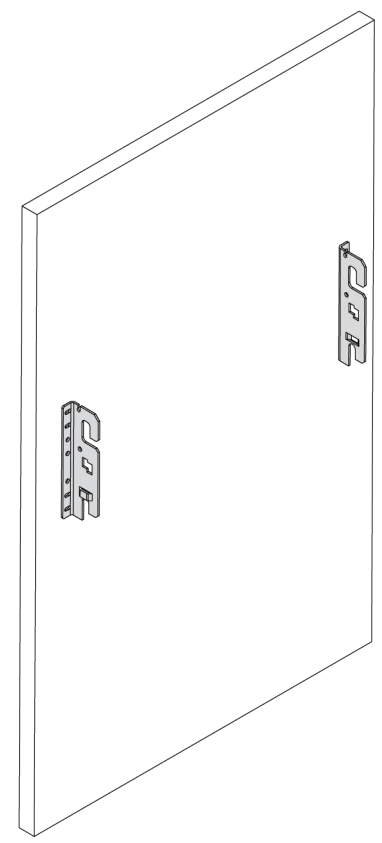
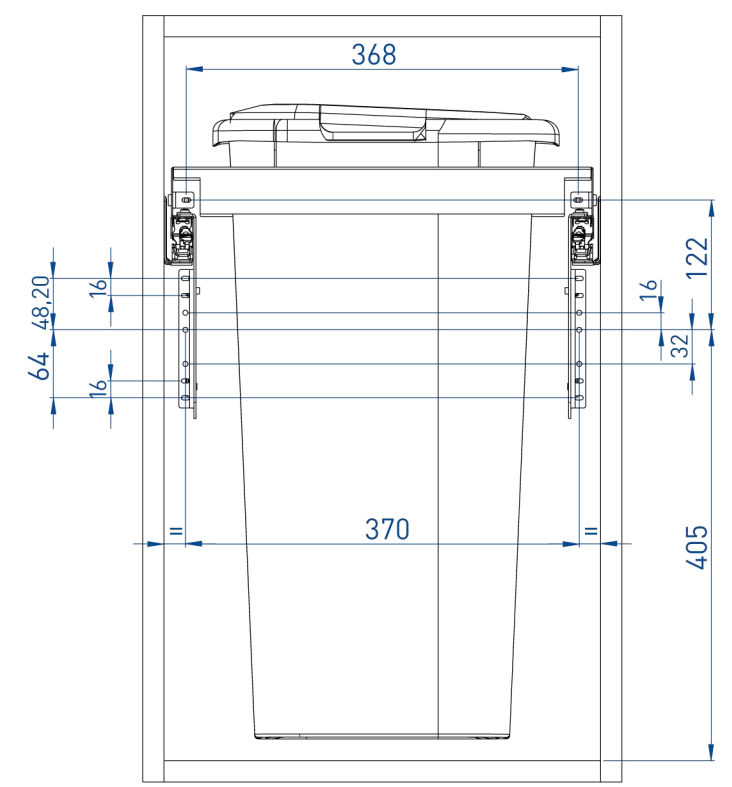


FoISt00030  
Rev. 01.2014  
Made in Italy

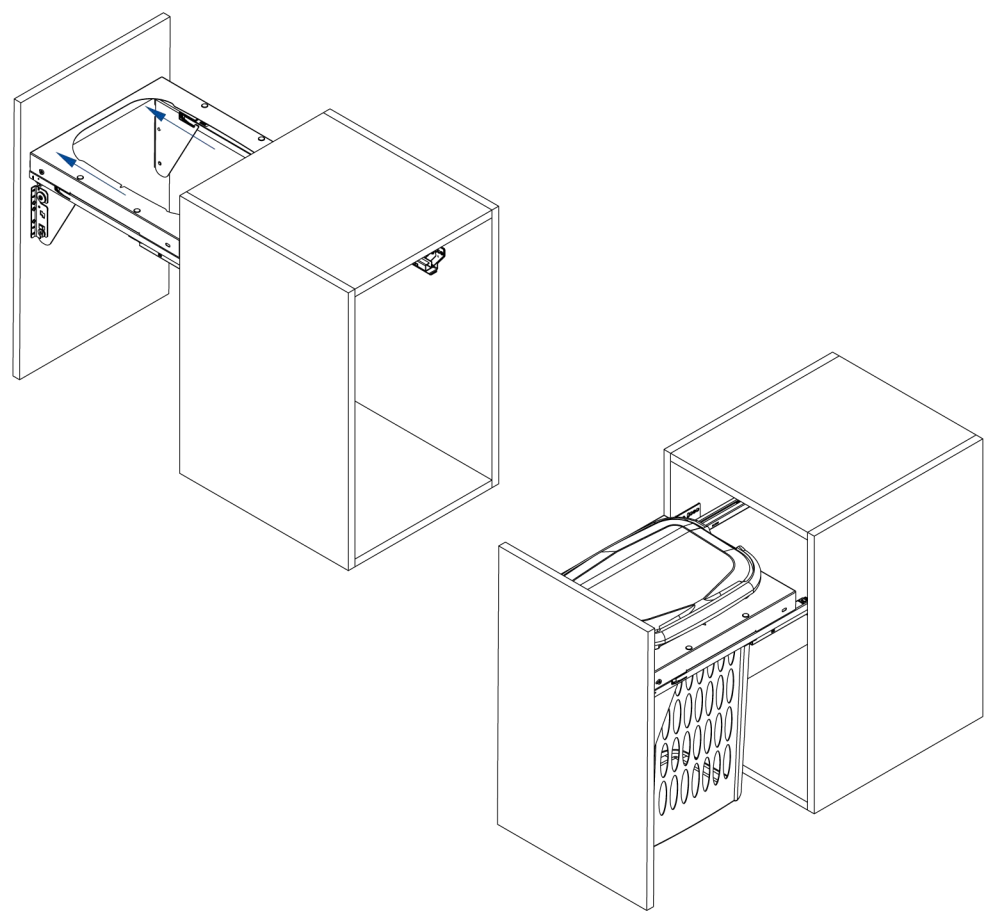
Per info riguardo il montaggio rivolgersi alla SIGE Spa



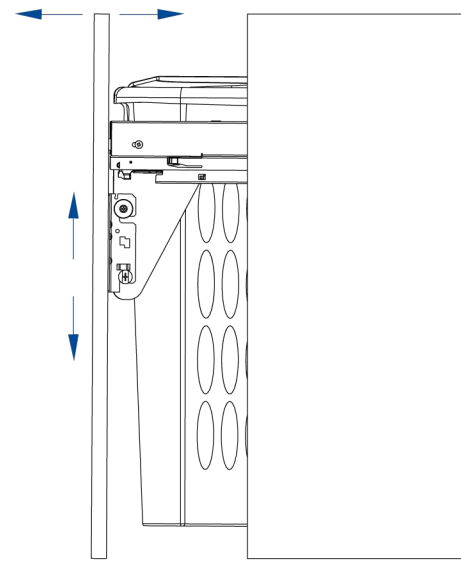
Screw C brackets on the door respecting showed data, using 4X13 screws.



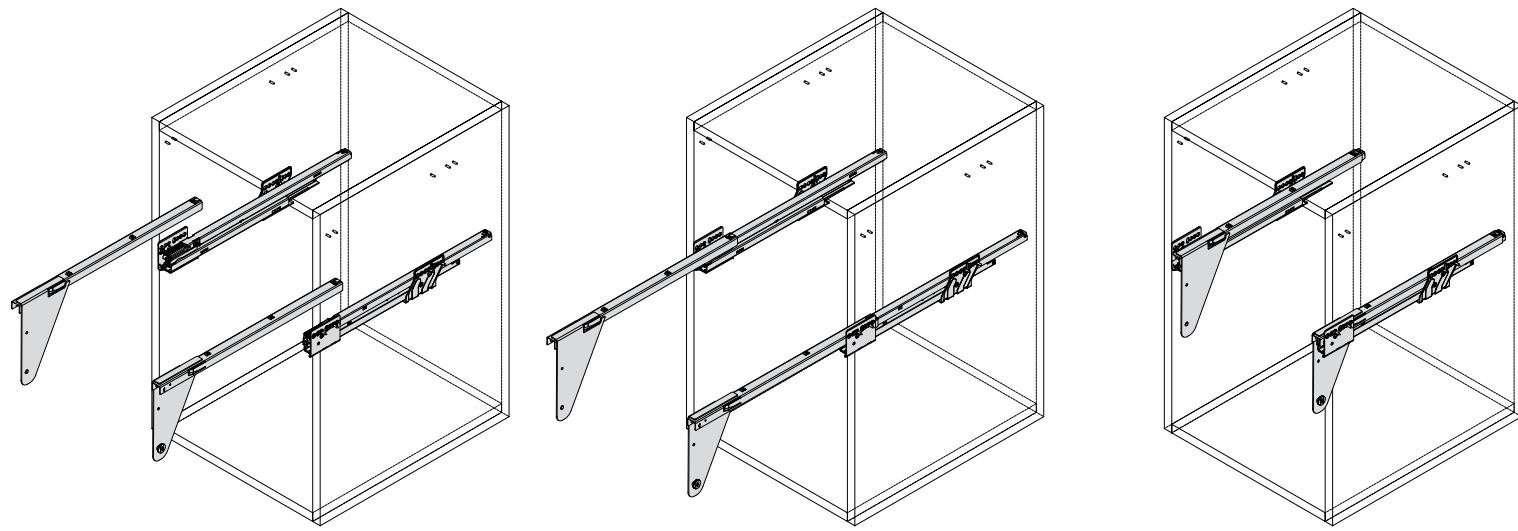
Fixing brackets D on the door, using 4X13 screws.



Make adjustments.

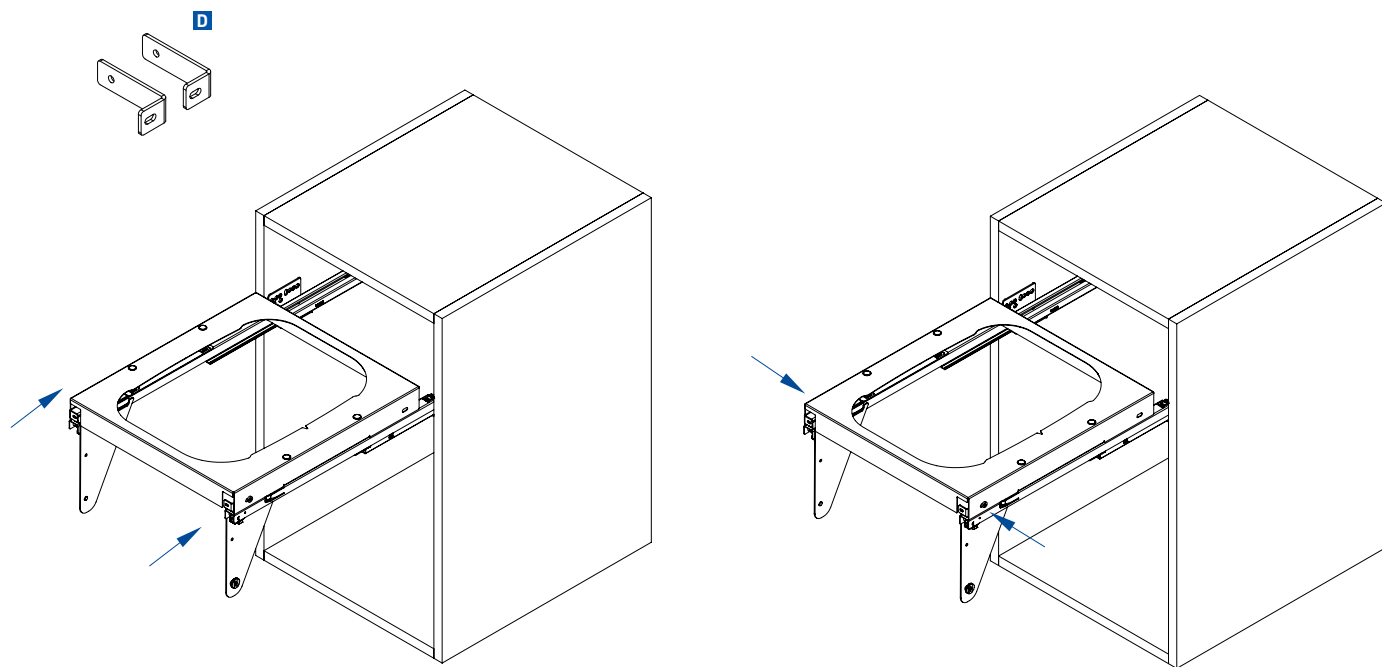


Fix the cover G in the slides F.



N°2 M 5x8

Fixing D brackets in A frame using M5x8 screws



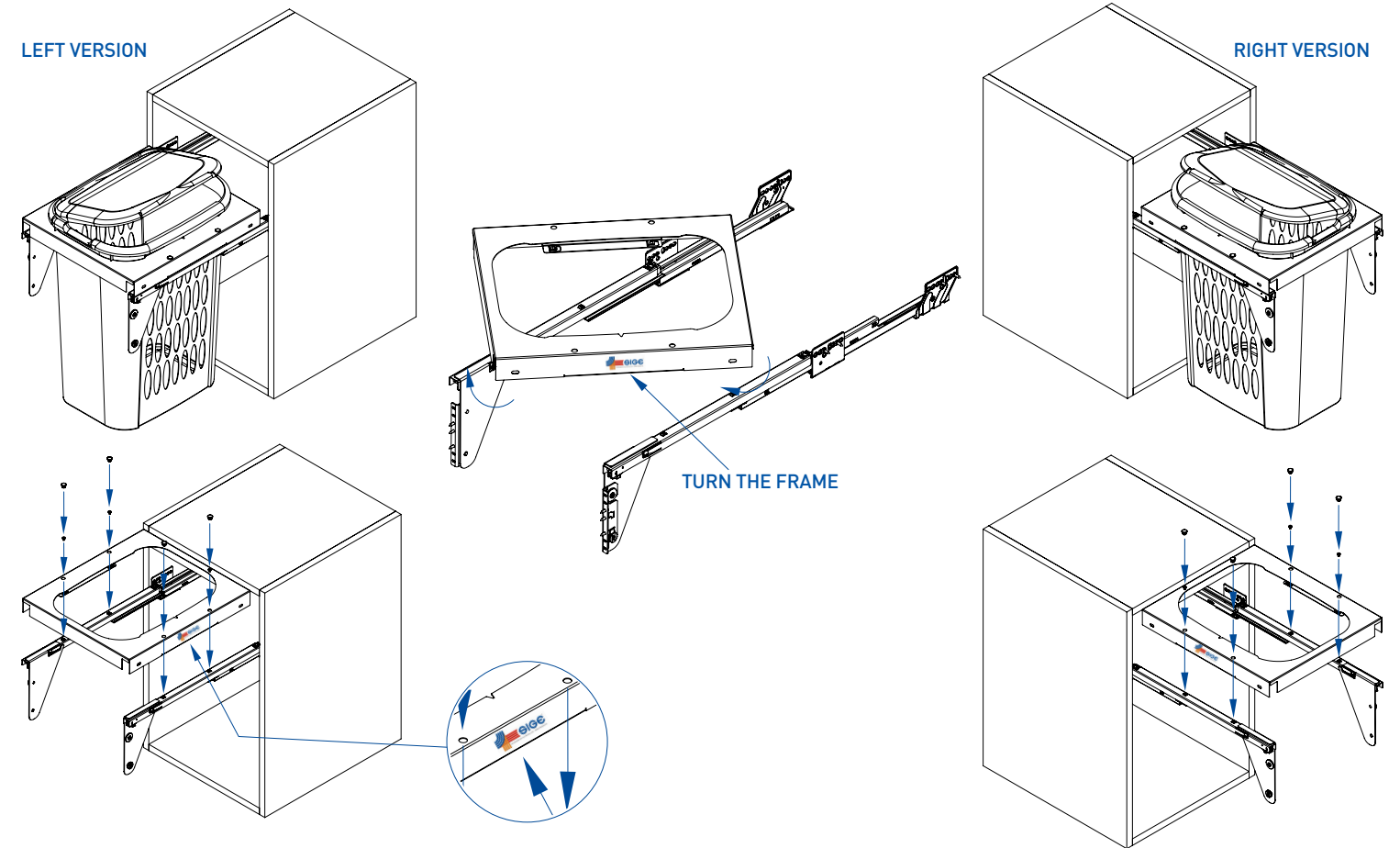
N°4 M4x5

Right version

Choose the version, assembly the frame A using M4x5 screws and put n°4 plastic cap E in the holes.

LEFT VERSION

RIGHT VERSION



N°2 M6x10

Fixing door on the cover G.

