

LED 24 Transformer



Electronic safety isolating transformer for 24 V DC LED



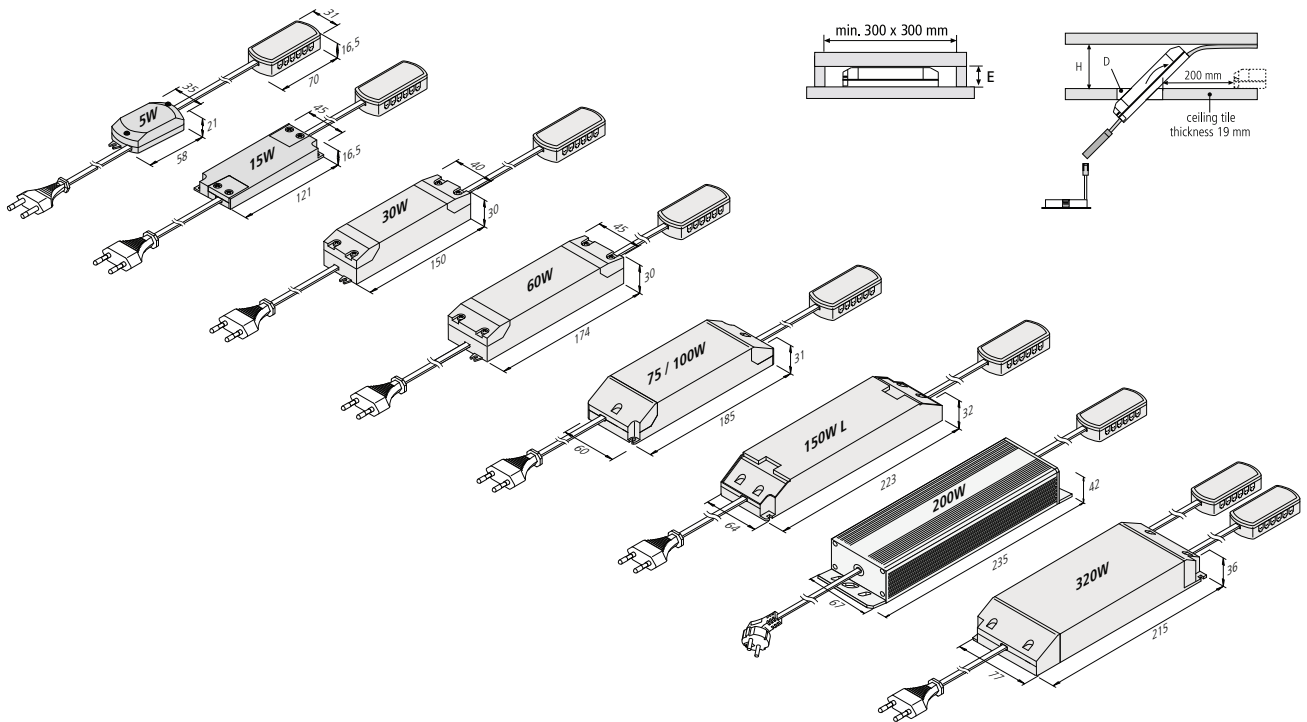
LED 24/30 W



LED 24/100 W

- connection: 220 – 240 V / 0 – 50/60 Hz
- constant 24 V DC
- protected against short-circuit , overload and no-load
- max. length of secondary cables: 5 m each

	5 W	15 W	30 W	60 W	75 W	100 W	150 W	200 W	320 W
installation height (E)	21 mm	16,5 mm	31 mm	50 mm	50 mm	50 mm	90 mm	–	50 mm
Ceiling cavity (D)	False ceiling height (H)								
ø 45 mm	40 mm	–	–	–	–	–	–	–	–
ø 55 mm	35 mm	55 mm	110 mm	140 mm	–	–	–	–	–
ø 68 mm	30 mm	45 mm	90 mm	100 mm	140 mm	140 mm	–	–	–
ø 78 mm	22 mm	40 mm	70 mm	80 mm	100 mm	100 mm	160 mm	–	–



Article No.	Description	Features	Weight
206 040 023 01	Transformer LED 24/ 5W DC 24V	<ul style="list-style-type: none"> • mains cable 2 m with Euro plug • 12-way distributor (5W with 6-way distributor) 	160 g
206 040 011 01	Transformer LED 24/ 15W DC 24V		167 g
206 040 012 01*	Transformer LED 24/ 30W DC 24V		250 g
206 040 031 01	Transformer LED 24/ 60W DC 24V		375 g
206 040 019 01	Transformer LED 24/ 75W DC 24V		460 g
206 040 033 01	Transformer LED 24/100W DC 24V		460 g
206 040 040 01	Transformer LED 24/150W L DC 24V	375 g	
615 003 013 01	Transformer LED 24/200W DC 24V	<ul style="list-style-type: none"> • mains cable 2 m with shockproof plug • 12-way distributor 	1500 g
206 040 042 01	Transformer LED 24/320W DC 24V	<ul style="list-style-type: none"> • mains cable 2 m with Euro plug • 2 x 12-way distributor 	975 g

New

New