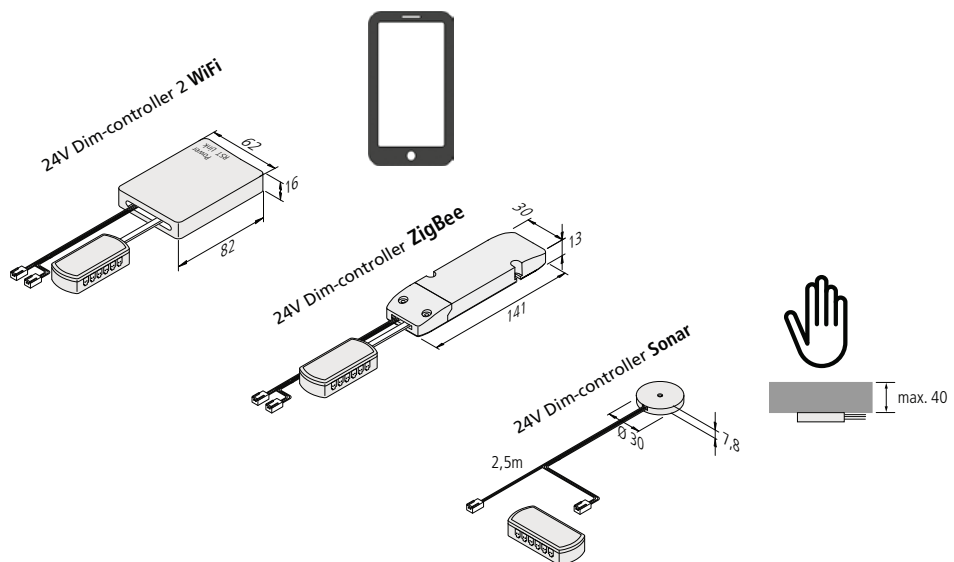
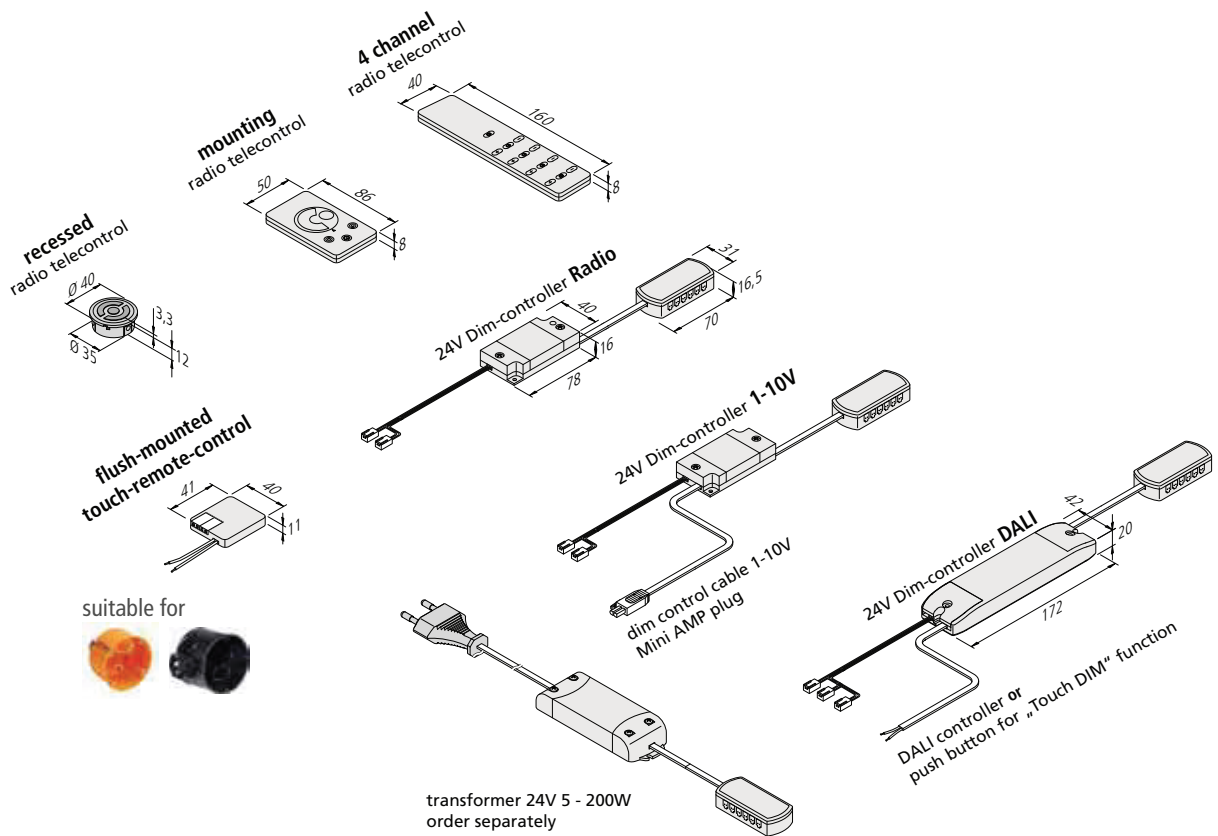
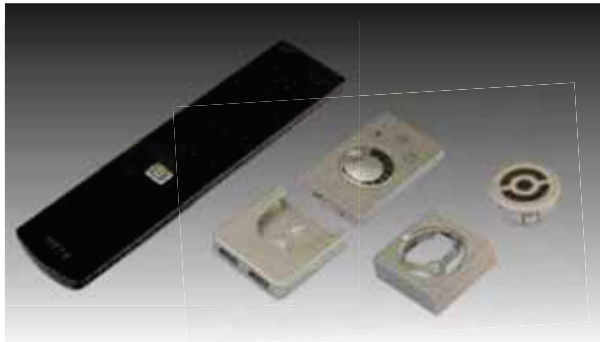


# LED 24 V Dim-Controller



Dim-controller as optional accessory for 24 V transformer



# LED 24 V Dim-Controller

Dim-controller as optional accessory for 24 V transformer



- constant 24 V DC / for luminaires with LED 24 plug
- easy plug-in connection for new or existing installations
- with memory-function (after cut off from mains the last dimming status is recovered)
- **radio telecontrol** to dim and switch (operating distance 15m / less for walls and ceilings)
  - **NEW:** flush-mounted touch-remote-control to control the colour setting, dim and switch with customary push-button
  - 4 channel radio telecontrol with master button and wall mounting combinable with dynamic-controllers
  - mounting radio telecontrol with wall mounting
  - recessed radio telecontrol for wood with 35 mm cut-out min. 12 mm incl. mounting housing stainless steel or for use in standard sockets
  - plenty of radio controllers can be activated simultaneously using a remote control or per channel
  - **NEW:** all controller with „Soft Off“ and „Multicontrol“ (it is possible to program up to 7 remote controls to **one** controller)
- **dim-controller DALI** for connection to complex controls or bus systems
- **controllable with every iOS or Android smartphone** or tablet (with free of charge Hera-App), operating distance up to 50 m
  - easy installation with Plug & Play components and connecting system
  - can be used as stand-alone-system without an existing WiFi system; with an existing WiFi system max. 14 controllers can be used
  - incl. remote function (external control) and timer function (individual runtime and break time)
- **Sonar-controller** for invisible switching and dimming behind wood, glass, stone, or ceramic with a max. size of 40 mm

**New**

**New**

Article No.	Description	Features	Weight
208 050 030 06	24V Dim-controller <b>radio controller</b> 80W with 12-way distributor	• <b>incl. flush-mounted touch-remote-control</b> to dim and switch	85 g
615 000 505 26	24V Dim-controller <b>radio controller</b> 80W with 12-way distributor	• <b>incl. 4 channel radio telecontrol</b> to dim and switch	130 g
615 000 505 23	24V Dim-controller <b>radio controller</b> 80W with 12-way distributor <sup>1)</sup>	• <b>incl. mounting radio telecontrol</b> to dim and switch	105 g
615 000 505 24	24V Dim-controller <b>radio controller</b> 80W with 12-way distributor <sup>1)</sup>	• <b>incl. recessed radio telecontrol</b> to dim and switch	80 g
208 050 030 02	24V Dim-controller <b>radio controller</b> 80W with 12-way distributor <sup>1)</sup>	• <b>without</b> radio telecontrol	65 g
208 050 020 51	<b>Flush-mounted touch-remote-control</b> to dim and switch	• as extension to <b>existing</b> controller	20 g
615 000 506 31	<b>4 channel</b> radio telecontrol black	• max. 7 different radio transmitter can be used with <b>one</b> controller	65 g
615 000 506 01	<b>Mounting</b> radio telecontrol to dim stainless steel	• each radio transmitter can be parallel semi-skilled on random controller	40 g
615 000 506 21	<b>Recessed</b> radio telecontrol to dim stainless steel		15 g
208 050 030 01	24V Dim-controller <b>1-10V</b> 80W with 12-way distributor	• dim control cable 0,3m with Mini AMP-plug / dim current < 1 mA	80 g
615 000 505 11	24V Dim-controller <b>DALI</b> 120W with 12-way distributor	• dim control cable 0,3m with ferrules	125 g
615 000 509 03	24V Dim-controller <b>2 WiFi</b> 100W with 12-way distributor	• operating distance 50 m • less for walls and ceilings	110 g
615 000 514 01	24V Dim-controller <b>ZigBee</b> 100W with 12-way distributor	• list with compatible systems under <a href="http://www.hera-online.de">www.hera-online.de</a>	80 g
208 050 030 41	24V Dim-controller <b>Sonar</b> 48W with 11-way distributor	• dim control cable 2,5 m • incl. screw and adhesive strip	70 g
Accessories:	<b>LED transformers 24 V from page 136</b>		

<sup>1)</sup> only radio controller versions (mounting / recessed)