

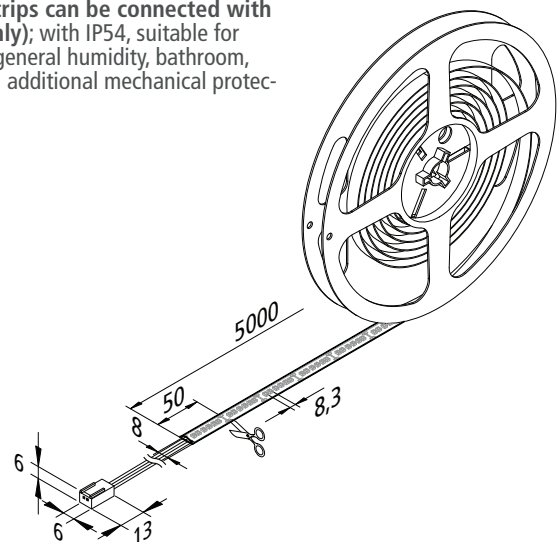
LED Basic-Tape S

Self-adhesive flexible LED strips with silicone compound



- Connection:** LED transformer DC 24 V
- Life:** L70/B10 ≥ 40.000 hours
- Energy efficiency:** LED: 129 lm/W luminaire: **780 lm/m** (98 lm/W)
- Colour rendering:** Ra/CRI > 85
- Special features:** max. 6 m per supply cable; quick and easy installation due to double-sided adhesive tape; tapes can be shortened at 50 mm intervals according to the marks on the front side; **after removing the silicone layer from the connection pad the strips can be connected with the clips and connecting cables (now IP20 only); with IP54, suitable for applications requiring higher ingress protection (general humidity, bathroom, kitchen, shops)** The silicone compound assures an additional mechanical protection e.g. for regular cleaning work.

LED Basic-Tape S				
		xw	ww	nw
0,5m	120° Ø 610	804 lx	952 lx	1024 lx
1,0m	Ø 1220	221 lx	238 lx	256 lx
1,5m	Ø 1830	98 lx	106 lx	114 lx
2,0m	Ø 2440	55 lx	60 lx	64 lx
2,5m	Ø 3050	35 lx	38 lx	41 lx



Article No.	Description	Illustration	Features	Weight
202 026 302 34	LED Basic-Tape S 5m 600 LED 40W xw		<ul style="list-style-type: none"> • incl. supply cable 2,5m with LED 24-plug • colour appearance xw (extra warm white) approx. 2700K or ww (warm white) approx. 3000K or nw (neutral white) approx. 4000K • with silicone compound (IP 54) 	220 g
202 026 302 32	LED Basic-Tape S 5m 600 LED 40W ww			220 g
202 026 302 33	LED Basic-Tape S 5m 600 LED 40W nw			220 g
Accessories	Connecting cables page 37/ profiles from page / LED transformers 24V from page 154 / dim-controller page 161			

New